



## SNAPnGO Assembly/Parts Manual Model No. S335.1

### Deluxe and Sport Editions



Deluxe Edition



Sport Edition

**Thank you for purchasing a SNAPnGO electric scooter. We are grateful for your business!**

**Please do not hesitate to contact us if you have any questions:**

Website: [www.e-snapngo.com](http://www.e-snapngo.com)

Email: [support@e-snapngo.com](mailto:support@e-snapngo.com)

Phone: 855-432-4566



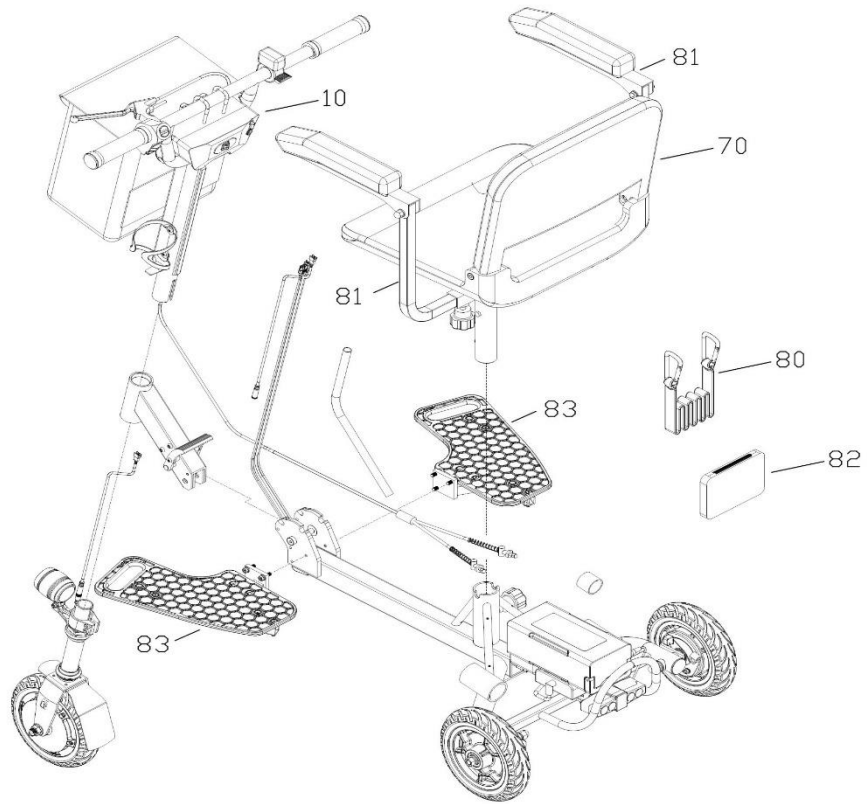
## Table of Contents

PARTS LIST BY KEY ITEM NUMBER.....	2
OVERALL EXPLODED LAYOUT .....	3
FRONT T-BAR LAYOUT.....	4
FRONT FORK LAYOUT.....	5
REAR AXLE LAYOUT.....	6
FOOTREST LAYOUT .....	7
SEAT DELUXE/SPORT LAYOUT.....	8
WIRING DIAGRAM.....	9

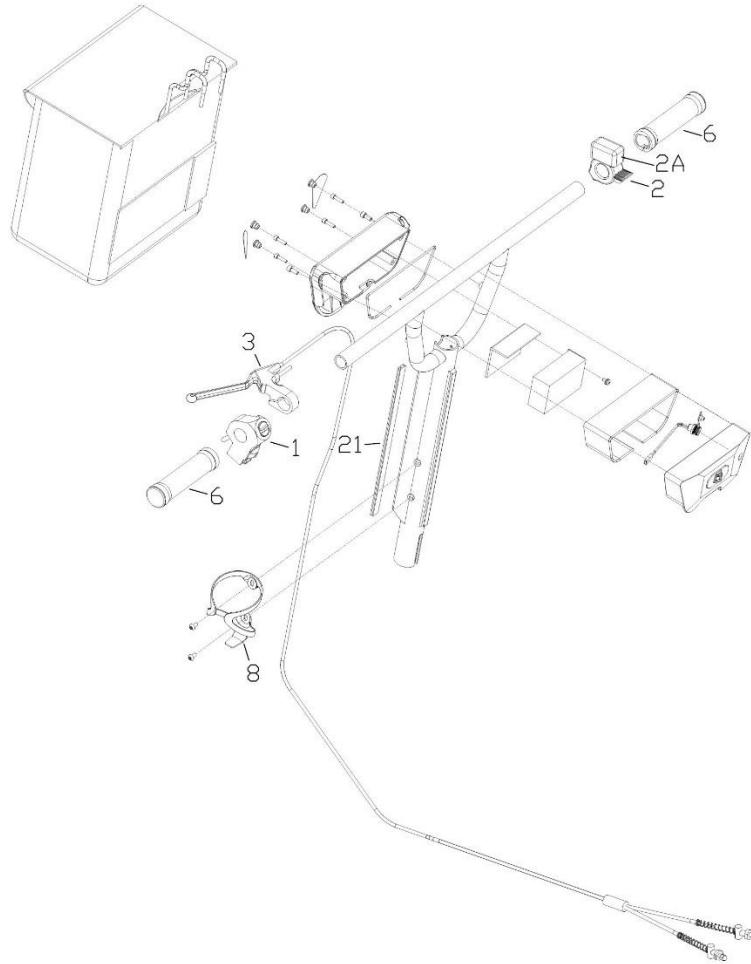
## Parts List by Key Item Number

<b>KEY #</b>	<b>Part Name</b>	<b>PART#</b>
1	Switch F/R 1,2,3	335001
2	Throttle	335002
2A	Throttle Power Button Cover	No#
3	Hand Brake	335003
6	Grips	335006
8	Water Bottle Holder	335009
10	Motor Controller Box Front/Rear	335012
21	Rubber Channel Seal	335024
24	Motor 36V 250W	335027
26	Front Fork	335029
35	Headlamp	335049
36	Plastic Foot Rest	335051
38L	Foot Rest Bracket LEFT	335053
38R	Foot Rest Bracket RIGHT	335053
45	Left Rear Wheel	335060
46	Right Rear Wheel	335061
47	Taillight	335062
68	Battery	335087
69	Battery Base	335089
70	Seat Deluxe/Sport	335091
71	Knob	335093
72	Seat Base Deluxe/Sport	335094
75	Seat Post	335098
80	Bungee Strap w/hooks	335108
81	Seat Arm L/R	335092
82	Tool Kit	335109
83	Footrest Assembly (Pair)	n/a

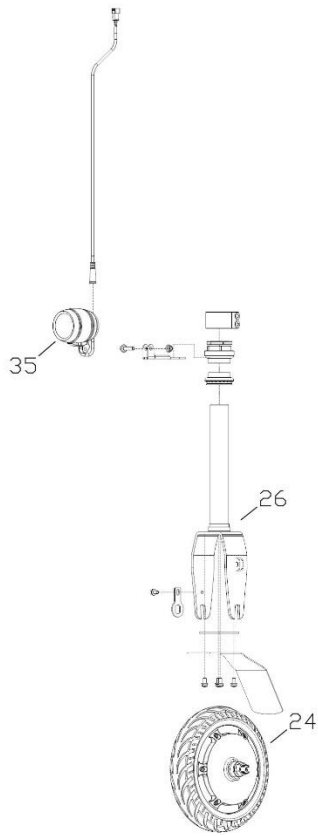
# Overall Exploded Layout



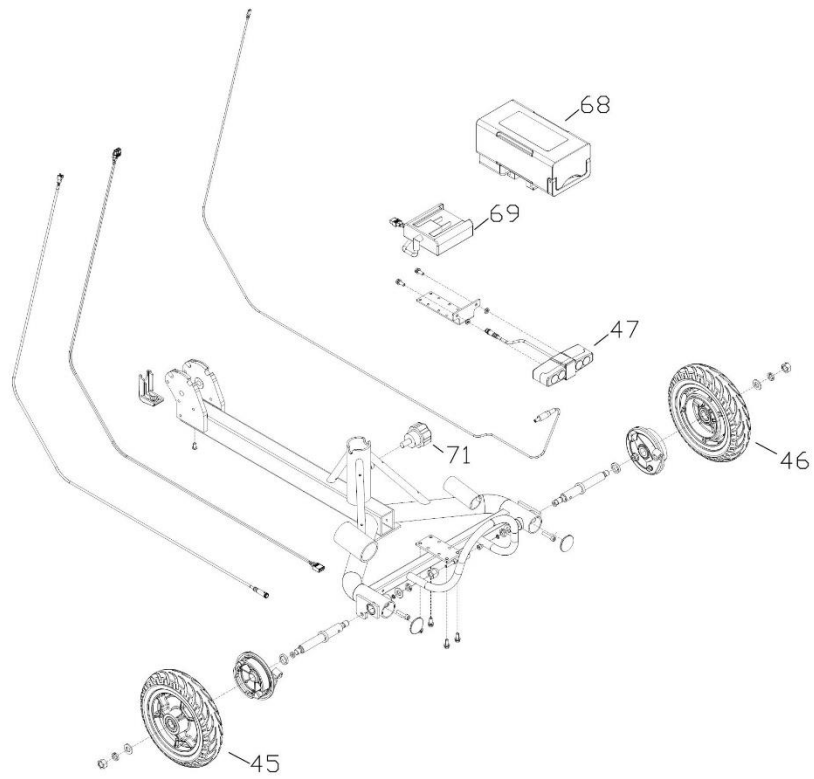
# Front T-Bar Layout



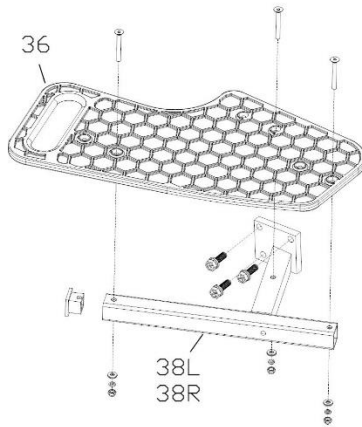
# Front Fork Layout



# Rear Axle Layout



# Footrest Layout



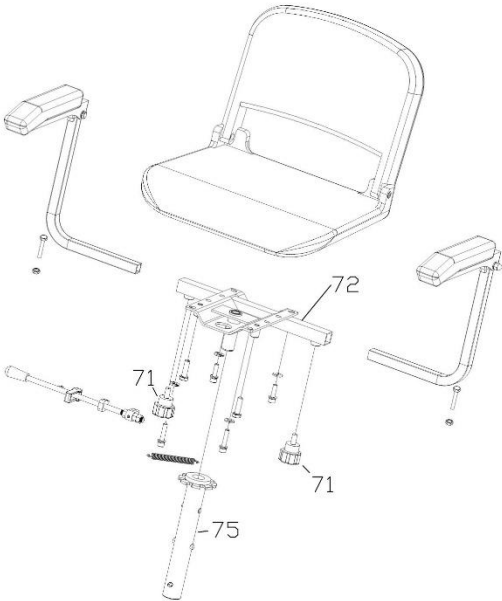
Left Foot Rest Shown  
Right Foot Rest is a Mirror Image



# Seat Deluxe/Sport Layout

フ

フ



フ

フ



# Wiring Diagram

SnapnGo  
335.1 Wiring Diagram  
9/17/24

